


THE INTERNATIONAL MOUNTAINEERING AND CLIMBING FEDERATION

UNION INTERNATIONALE DES ASSOCIATIONS D'ALPINISME

Office: Monbijoustrasse 61 • Postfach
CH-3000 Berne 23 • SWITZERLAND
tel.: +41 (0)31 3701828 • fax: +41 (0)31 3701838
e-mail: office@uiaa.ch

	<p>Mountaineering and Climbing Equipment</p> <p>'SNOW ANCHORS' (Dead Man)</p>	<p>UIAA 154</p>
<p style="text-align: center;">Foreword</p> <p>This UIAA Standard is only published in the English language version, which is the master text. For any validations in translation, the UIAA Safety Commission should be contacted via the UIAA Office in Bern, Switzerland.</p> <p>UIAA Standards are the only 'globally recognized' standards for mountaineering equipments. In order to prevent multiplicity, the UIAA collaborates with its partner in standardization CEN. The EN Standards in turn are based on the original UIAA Standards, the first of their kind in the world. Additionally the UIAA publishes pictorials for each of the standards in a user-friendly way.</p> <p>The UIAA Standards are reviewed at intervals to see whether they meet the latest technical requirements and revised if necessary.</p> <p>The UIAA invites manufacturers of mountaineering and climbing equipment worldwide to become members of the UIAA Safety Commission as Safety Label Holders. Members can participate in discussions on standard requirements, test methods and revisions thereof (see the "General Regulations for the UIAA Safety Label").</p> <p>A complete list of UIAA Standards for mountaineering and climbing equipment can be found on the UIAA website.</p> <p>The UIAA Safety Commission, which is responsible for the UIAA Standards, expects that CEN will include this UIAA standard into CEN Standards.</p>		
© 2008 UIAA		
Copyright is secured for the present standard work including all its parts. Any use beyond the limit of the copyright act is forbidden by law.		
This concerns especially copying, microfilming and feeding and processing in electronic data systems.		

THE INTERNATIONAL MOUNTAINEERING AND CLIMBING FEDERATION

UNION INTERNATIONALE DES ASSOCIATIONS D'ALPINISME

Office: Monbijoustrasse 61 • Postfach
CH-3000 Berne 23 • SWITZERLAND
tel.: +41 (0)31 3701828 • fax: +41 (0)31 3701838
e-mail: office@uiaa.ch

1. General Remarks on the UIAA Trademark and UIAA Label

- 1.1. The UIAA Trademark (see section 9.1.) is copyright protected internationally. The UIAA Label is only given to items of mountaineering and climbing equipment upon approval of prospective label holder's application from the UIAA.
- 1.2. The procedure to be followed by a manufacturer, when applying for a UIAA Label, is laid down in the "General Regulations for the UIAA Safety Label Certification"

2. Scope

- 2.1. This standard specifies safety requirements and test methods for snow anchors for use in mountaineering

3. Definitions

For the purpose of this standard, the following definitions apply:

- 3.1. Snow anchor: Anchoring plate, which can be buried into snow, fitted with a means of attachment.
- 3.2. Means of attachment: Any system which allows the attachment of a connector (in accordance with standard UIAA 121).

4. Safety Requirements

4.1. Design

- 4.1.1. Snow anchors shall have a surface of at least 350 cm².
- 4.1.2. All edges of the snow anchor with which the user's hand can come into contact shall be free from burrs.
- 4.1.3. The means of attachment shall be large enough to accommodate a pin with a diameter of at least 15 mm.

4.2. Strength

When tested in accordance with 5.3. the peak force shall be at least 6 kN.

5. Tests Methods

5.1. Conditioning

Carry out the tests at a temperature of (23 ± 5) °C.

5.2. Examination of design

- 5.2.1. Determine the dimension of the surface of the test sample by projecting onto a plane as shown in figure 1 and by measuring. Any hole larger than 10 cm² shall be subtracted from the total surface.
- 5.2.2. Test the unloaded eye of the means of attachment with a pin of (15 ± 0.1) mm diameter.
- 5.2.3. Test by tactile examination that the edges of the test samples are free from burrs.

THE INTERNATIONAL MOUNTAINEERING AND CLIMBING FEDERATION

UNION INTERNATIONALE DES ASSOCIATIONS D'ALPINISME

Office: Monbijoustrasse 61 • Postfach
CH-3000 Berne 23 • SWITZERLAND
tel.: +41 (0)31 3701828 • fax: +41 (0)31 3701838
e-mail: office@uiaa.ch

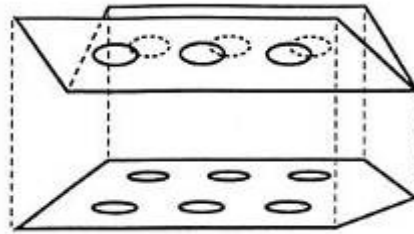


Figure 1

5.3. Strength Test

5.3.1. Apparatus – The test rig consists essentially of a frame with an interior width of (80 ± 0.5) mm, the internal length shall be greater than the length of the test sample. See figure 2.

5.3.2. Procedure - The test sample is placed in the test apparatus in such a way that it does not slide and the force is applied to the means of attachment in accordance with the information to be supplied and at an angle of $(50 \pm 2)^\circ$ with the surface of the test sample as shown in figure 2. The test sample is loaded until rupture and the peak force recorded.

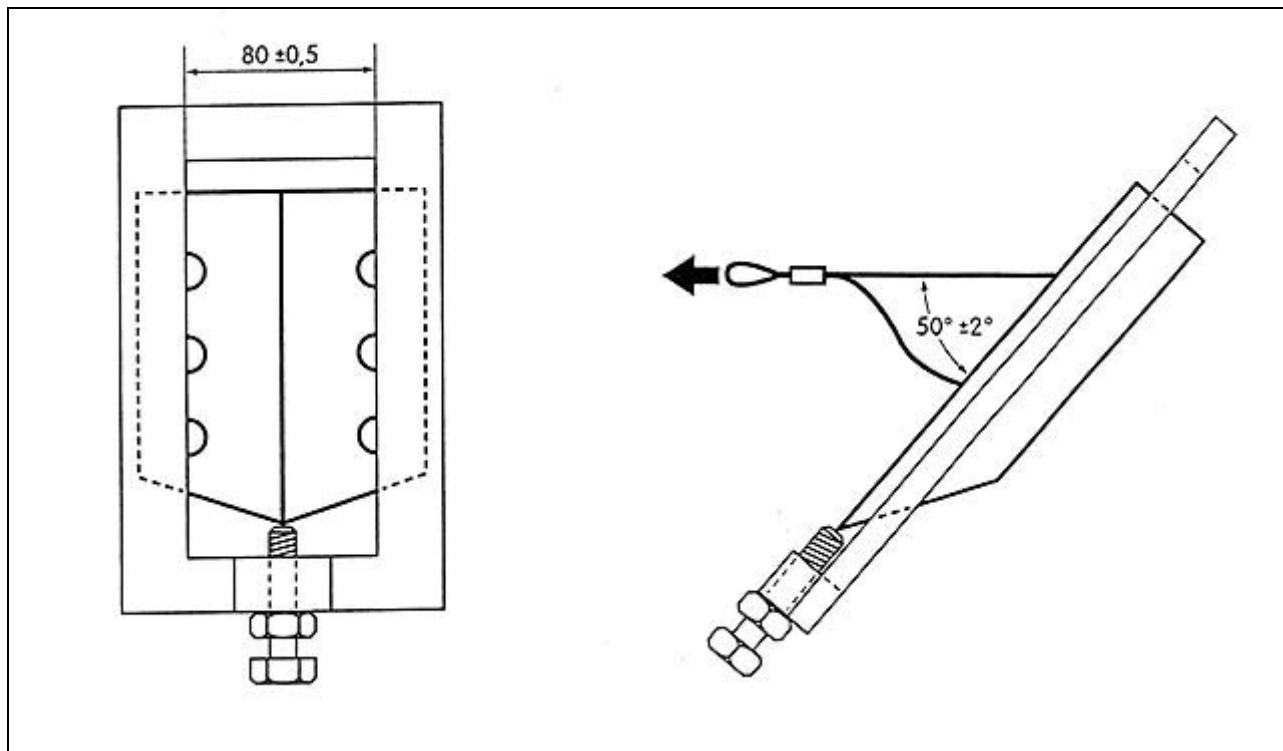


Figure 2

6. Information to be supplied

6.1. The name or trademark of the manufacturer, importer, or supplier;

THE INTERNATIONAL MOUNTAINEERING AND CLIMBING FEDERATION

UNION INTERNATIONALE DES ASSOCIATIONS D'ALPINISME

Office: Monbijoustrasse 61 • Postfach
CH-3000 Berne 23 • SWITZERLAND
tel.: +41 (0)31 3701828 • fax: +41 (0)31 3701838
e-mail: office@uiaa.ch

- 6.2. The meaning of any marking on the product;
- 6.3. How the snow anchor shall be placed into the snow, how to attach to it, and how it shall be loaded;
- 6.4. A warning that the correct placement into the snow is very important to withstand a load reliably;
- 6.5. A warning that there is no guarantee that the snow anchor will withstand a high load, even when placed correctly into the snow;
- 6.6. How to choose other components for use with the product;
- 6.7. How to maintain and service the product;
- 6.8. The lifespan of the product;
- 6.9. The effects of chemical reagents and temperature on the product.

This information shall be given at least in the five official UIAA languages (English, French, German, Italian, Spanish) or alternatively in the language of the country in which the product is sold.

7. Marking

- 7.1. Snow anchors shall be marked with at least the following information:
- 7.2. name or trademark of the manufacturer, importer or supplier
- 7.3. a pictogram showing the method of use
- 7.4. the minimum holding force in kN, to the nearest whole number below the value which the manufacturer guarantees, with the unit "kN", e.g. "6 kN".

8. Demonstrating that Requirements are met

- 8.1. The safety requirements shall be satisfied by either
 - a) a test report from a UIAA-approved test laboratory, or
 - b) a test report from a test laboratory acceptable to an EU Notified Body.

9. Attachment of the UIAA Label

- 9.1. For any model of mountaineering equipment, which has been awarded the UIAA Label, the UIAA recommends that the UIAA Trademark (see below) or the four letters "UIAA" be marked clearly and indelibly on each item sold in accordance with the branding guidelines specified in the "General regulations for UIAA Safety Label".



UIAA

- 9.2. In addition, the UIAA Trademark or the four letters "UIAA" may be included in the instructions for use and/or on a swing ticket as well as in catalogues and other publications of the manufacturer. In the last case, the illustration and/or the text must clearly apply only to the equipment which has been awarded the UIAA Label.

THE INTERNATIONAL MOUNTAINEERING AND CLIMBING FEDERATION

UNION INTERNATIONALE DES ASSOCIATIONS D'ALPINISME

Office: Monbijoustrasse 61 ● Postfach
CH-3000 Berne 23 ● SWITZERLAND
tel.: +41 (0)31 3701828 ● fax: +41 (0)31 3701838
e-mail: office@uiaa.ch

Copies of the EN Standards can be purchased from the following:

Great Britain British Standards Institution (BSI), Tel: +44 20 8996 9001
Order by Fax: +44 20 8996 7001 (with credit card details)
by post: BSI Customer Services c/o Cash Office,
PO Box 16206, London W4 4ZL (cash with order)

France: Association Francaise de Normalisation (AFNOR),
Serv. "Qualite de la Vie" (SQV), Tour Europe,
F-92049 Paris La Défense CEDEX
TEL: + 33 142 91 55 33 FAX: + 33 142 91 56 56

Germany: Beuth-Verlag GmbH, Burggrafenstrasse 4-10,
D-10787 Berlin
TEL: +49 30 2601 2260 FAX: +49 30 2601 1540

Italy: Ente Nazionale Italiano di Unificazione (UNI),
Via Battistotti Sassi 11/b, I-20133 Milano
TEL: +39 270 0241 FAX: +39 270 106 106

Spain: Asociación Espanola de Normalización y Certificación
(AENOR), Genova 6, E-28004 Madrid
TEL: + 34 14 32 60 00 FAX: + 34 13 10 45 96
