

AVALANCHE RESCUE SHOVEL

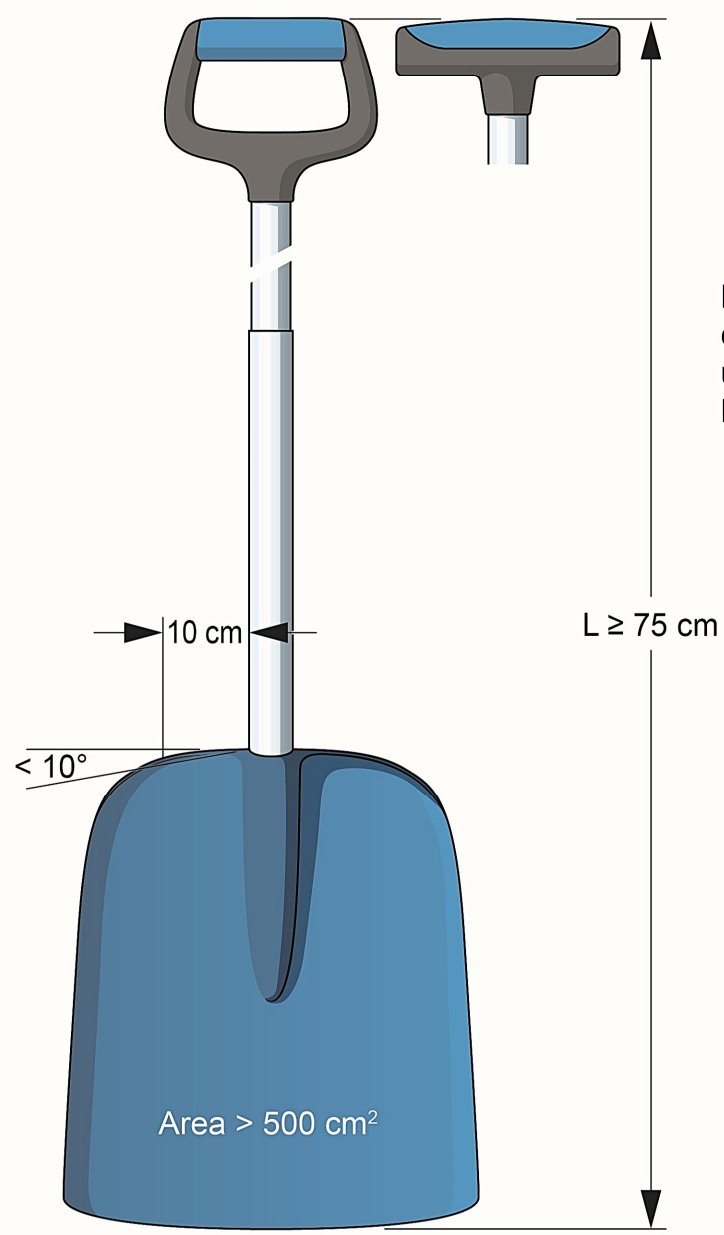
UIAA-156



Note: This representation of UIAA 156 does not contain the full details of the test methods and requirements in these standards; it gives only a simplified pictorial presentation.

For full details, UIAA 156: 2018 should be consulted. © UIAA

Handel suitable with Gloves



Bending stiffness
 compliance $< 0,15\text{ mm/mm}$
 under 300 Nm
 Permanent deformation $< 5\%$

